



E4500 & J4500 Series Maintenance Manual

Date November 2006

Page Intro-3

J4500 – SPECIFICATIONS

VEHICLE HEIGHT (MAXIMUM NORMAL RIDE HEIGHT)	141.25 Inches (3587 mm)
(From Top Of Roof Hatches)	
VEHICLE WIDTH (MAXIMUM)	102 Inches (2590 mm)
(Excludes Mirrors And Side Turn Lights)	
GROSS VEHICLE WEIGHT RATING	54,000 Lbs. (24,500 Kg)
CAPACITIES	
FUEL TANK	222 U.S. Gals. (840 L)
FUEL TYPE	2D Recommended (1D Acceptable)
(ASTM #D975)	
ENGINE CRANKCASE (Series 60)	38 Qts.(36 L)
(SAE 15W-40) API Classification CG-4	
POWER STEERING SYSTEM	7.5 Qts.(7.1 L)
(Dexron III)	
AUTOMATIC TRANSMISSION (B500)	25 Qts.(23 L)
(Dexron III or TranSynd)	
AUTOMATIC TRANSMISSION (ZF Astronic – Optional)	2.9 Gals.(11 L)
(Castrol SynTrans Max 75W–80 or ZF Ecofluid M)	
DRIVE AXLE Hypoid gear lube	32 Pts.(15 L)
(SAE 75W-140 or SAE 75W-90 Note: Full Synthetic)	
COOLING SYSTEM	25 Gals.(100 L)
(Glycol-based coolant)	
AIR CONDITIONING	23 Lbs.(10.4 Kg)
(R134 Refrigerant)	
LAVATORY FRESH WATER TANK	10 Gals.(37.8 L)
LAVATORY WASTE RETENTION TANK:	
PRIMARY	16 Gals.
SECONDARY	24 Gals.
PARCEL RACK (Right Side)	1184 Lbs (537 kg)
PARCEL RACK (Left Side)	1332 Lbs (604 kg)
BATTERIES	8D, 1350 CCA Post type

E4500 & J4500 Series Maintenance Manual

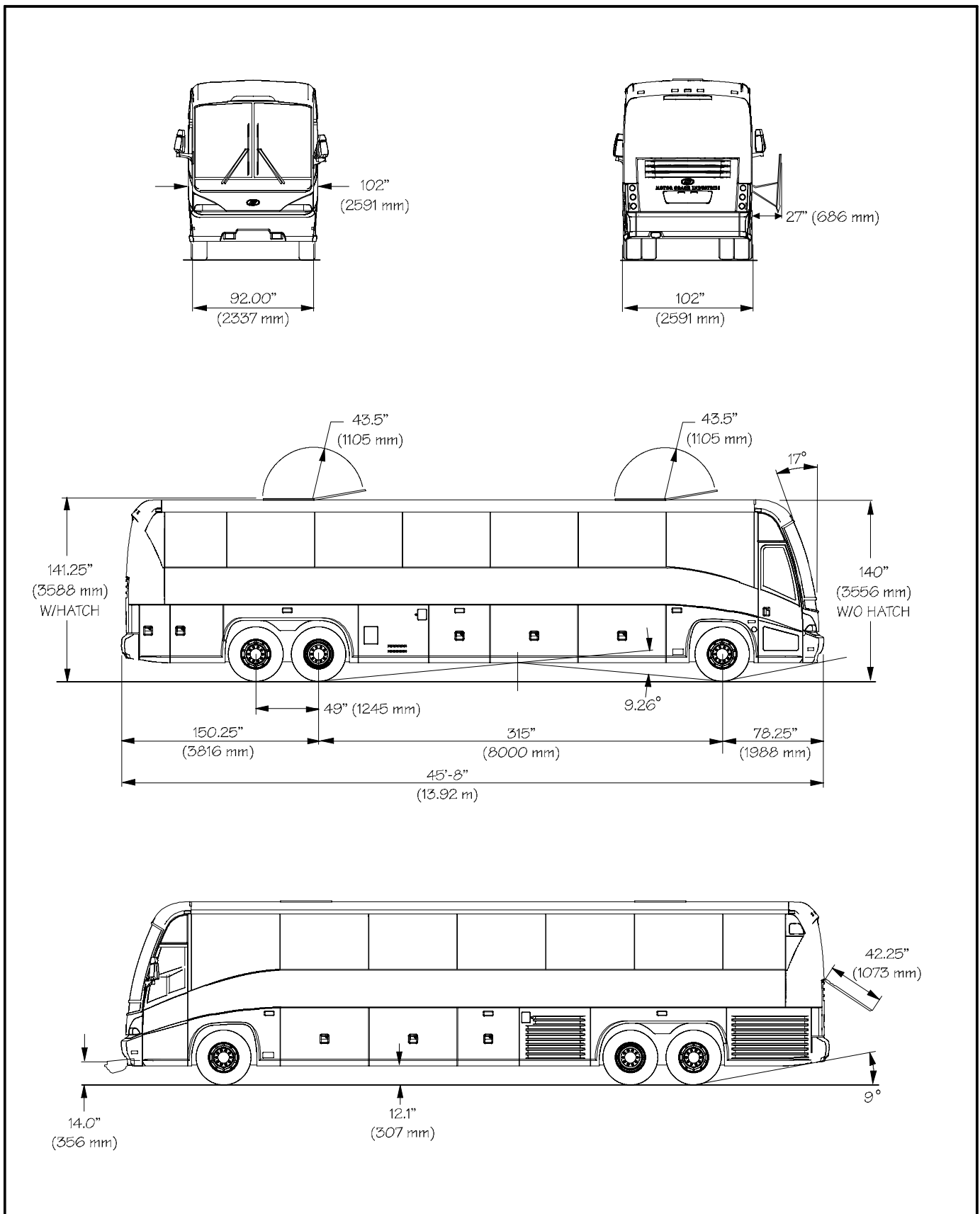


FIGURE 1. J4500 Model Body and Door Clearance Diagram



E4500 & J4500 Series Maintenance Manual

Date November 2006

Page Intro-5

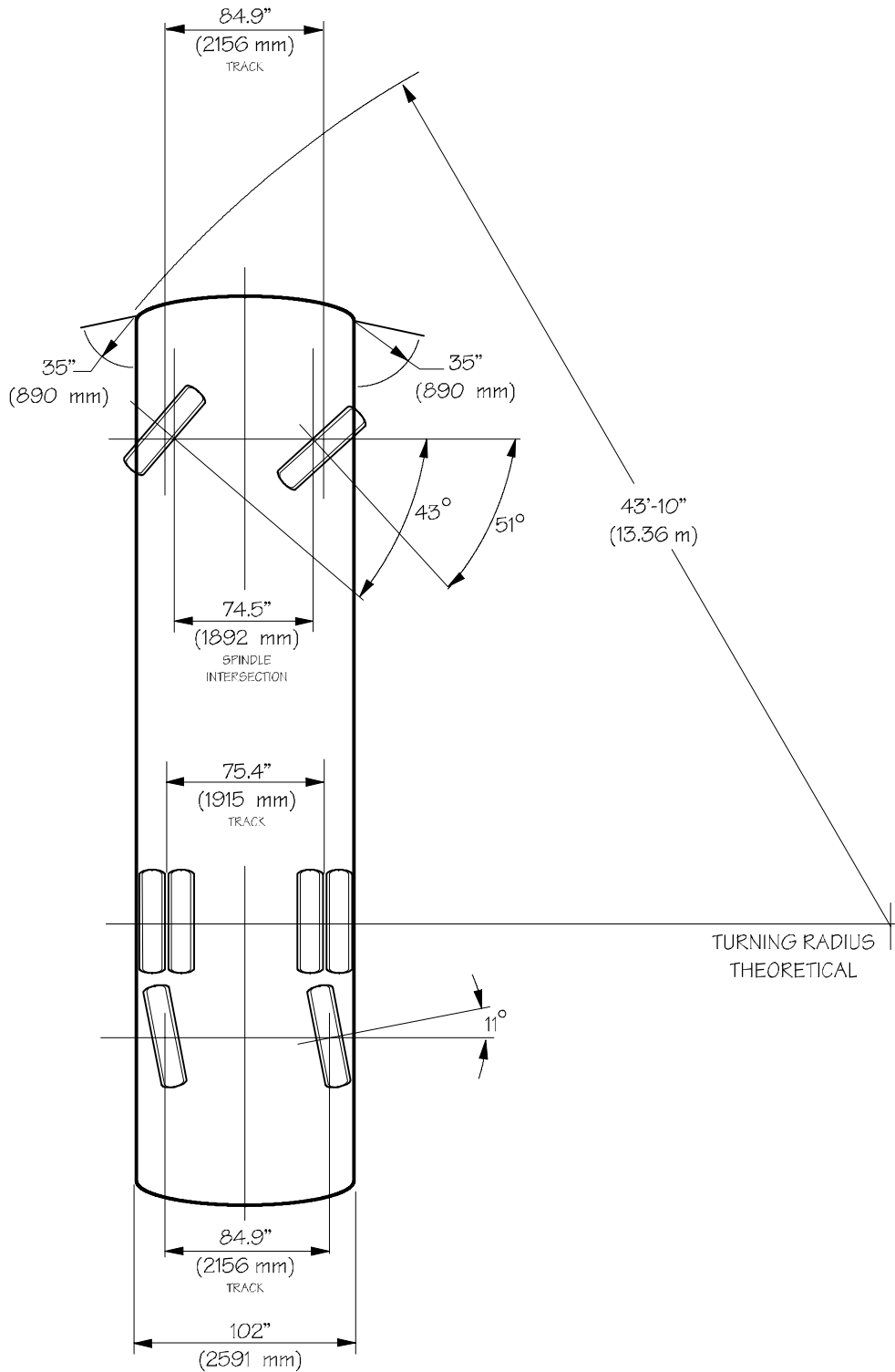


FIGURE 2. J4500 Turning Radius and Door Clearance



E4500 & J4500 Series Maintenance Manual

Date November 2006

Page Intro-9

GENERAL DATA

VEHICLE LENGTH: Over Bumpers	45.58 ft. (13.89 m)
VEHICLE HEIGHT: Top of Roof Hatch	141.25" (3.59 m)
VEHICLE WIDTH:	102" (2.59 m)
TURNING RADIUS (Front Body with Bumper):	46.5 ft. (14.17 m)
WHEELBASE: Front Axle to Drive Axle Centers	315" (8.0 m)
FRONT AXLE TRACK:	84.84" (2.15 m)
REAR AXLE TRACK: (Center of Dual Wheels)	75.38" (1.91 m)
TAG AXLE TRACK:	84.84" (2.15 m)
GROSS VEHICLE WEIGHT RATING:	54,000 lbs. (24,494 kg)
APPROXIMATE PAYLOAD CAPACITY:	12,900 lbs. (6531 kg)
FUEL CAPACITY: (Standard Tank)	183 Gal. U.S. (693 liters)
COOLING SYSTEM CAPACITY:	25 Gal. U.S. (100 liters)
STEERING SYSTEM CAPACITY:	7.5 Qts. U.S. (7.1 liters)
TIRE RATING: (Minimum)	"J" Rated

ENGINE DATA

Detroit Diesel Series 60

Type	4 Cycle
No. of Cylinders	6
Bore	5.12" (130 mm)
Stroke	6.3" (160 mm)
Compression Ratio (Turbo)	15:1
Total Displacement (Cubic Inches)	775 cubic inches (12.7 liters)
Number of Main Bearings	7

Engine Specifications - Caterpillar C-12

Type	4 cycle
Number of Cylinders	6
Bore (inches)	5.12
Bore (mm)	130
Stroke (inches)	5.91
Stroke (mm)	150
Compression	16.25 to 1
Total Displacement (cubic inches)	732
Total Displacement (L)	12
Rated Full Load Speed (RPM)	2100

Valve Lash (engine stopped)

Inlet Valve	0.38 mm (.015 inc)
Exhaust Valve	0.64 mm (.025 inch)
Compression Brake	1.02 mm (.040 inch)

Engine Specifications - Caterpillar C-13

Type	4 cycle
Number of Cylinders	6
Bore (inches)	5.12
Bore (mm)	130
Stroke (inches)	6.18
Stroke (mm)	157
Compression	18.0 to 1
Total Displacement (cubic inches)	763
Total Displacement (L)	12.5
Rated Full Load Speed (RPM)	2100